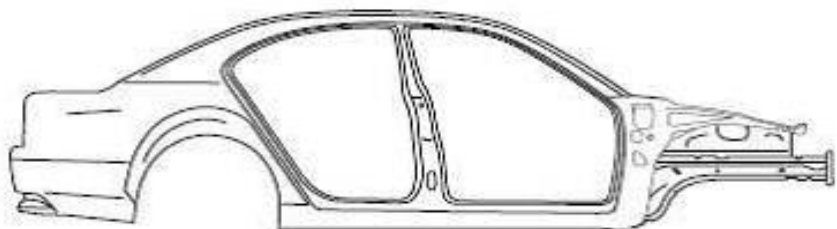
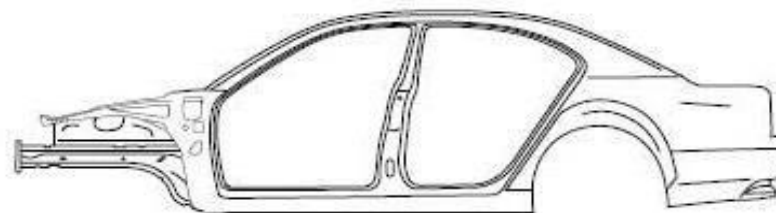


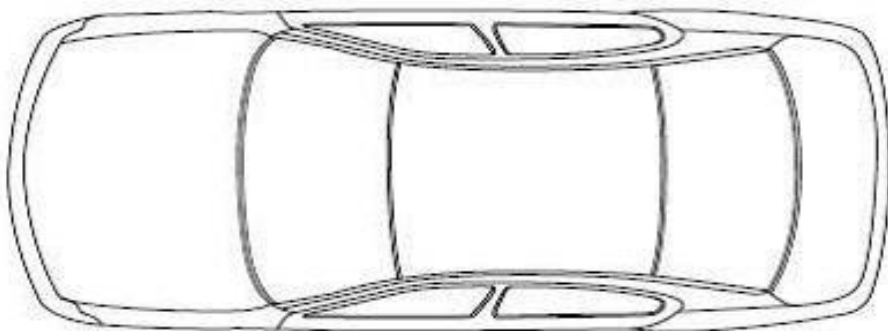
DING'S AUTO PARTS SPECIAL ORDER 4-DOOR UNIBODY CUT SHEET



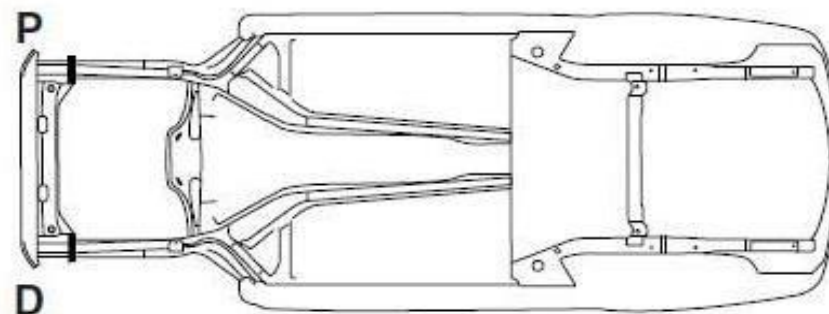
PASSENGER SIDE



DRIVER SIDE



TOP VIEW



UNDERBODY VIEW

Please fill out all the following information and mark the photos according to how you want your body section cut.

*** Please CIRCLE how far into the body or floor you need cut: 6" 12" 18" 24"

Please email (parts@dingsautoparts.com) or fax (860-567-8566) your completed body cut sheet back

Year: _____ Make: _____ Model: _____

VIN #: _____ Contact Name: _____

Shop Name: _____ P.O. #: _____

Notes: _____

All cuts are special order and are not returnable for any reason! Cuts are priced at recycling industry standard cut locations. Cuts outside of those locations may require an adjustment to the quoted price.